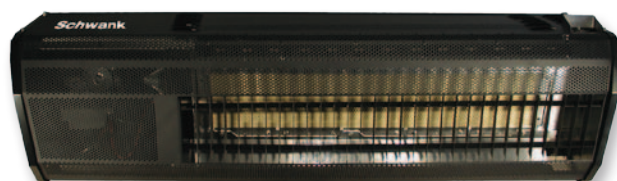


patioSchwank 2300

Invisible heat from the most efficient outdoor heater



Experience counts:

Schwank is the worldwide market leader and most trusted brand with over 2 million heating appliances sold.

Setting the Industry Standard

An 'invisible' heater safe and ideal to maximize the capacity of your patio.

- Increase your profits: customers stay longer and your season is extended
- 'No space' low cost installation. Facilitates out-of-the-way installations
- Aesthetic 'invisibility'. Black emissive coating suits any decor and makes the heater blend in
- Improved comfort for your customers with lower fuel costs
- Free layout and design assistance

Excellent Investment

The most durable heater of its kind: sturdy stainless steel enclosure and weather resistant housing.

More Comfort with Low Fuel Costs

Insulated cabinet traps convection heat to create additional infrared output. High radiant factor burner yields approximately 37% more radiant heat output than typical patio heaters.

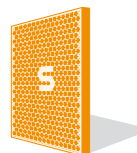
Maximize your Patio Area

Balanced suspension points coupled with multiple suspension hardware options allow for a discreet and non-intrusive installation.

Safest Patio Heater

- Remote "ON" and "OFF"
- The perfect overhead mounted solution for wide-open patios, "tight spots" and even under canopies
- Unlike portable heaters, these heaters are not within reach of customers and employees

Schwank
INNOVATIVE HEATING SOLUTIONS



patioSchwank 2300-Invisible heat from the most efficient outdoor heater

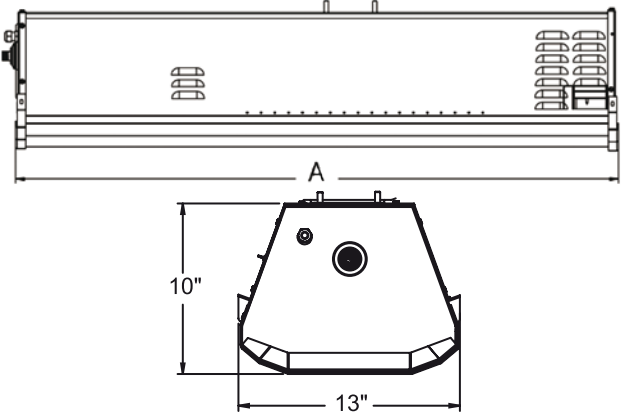
The Schwank Advantage:

- Worldwide market leader in infrared heating
- Highly rated customer service in the industry:
 - The quickest lead times, as short as two days
 - The best on-time performance, over 99% during normal periods, and over 95% during peak seasons
 - The best quality in the industry: our service claims are less than 0.8% of sales
- Complete heating solutions from one source: luminous [high intensity], tube, patio and stadium heaters
- Fuel cost analysis and investment evaluation
- Professional planning and free CAD design layout

Our References Include:

Earl's Restaurant Patio [Denver, CO], Stone Brewing [San Diego, CA], Blue Mountain Villa [Collingwood, ON], The Keg Restaurant, Rosewater Restaurant, The C Lounge, and the Drake Hotel [Toronto, ON].

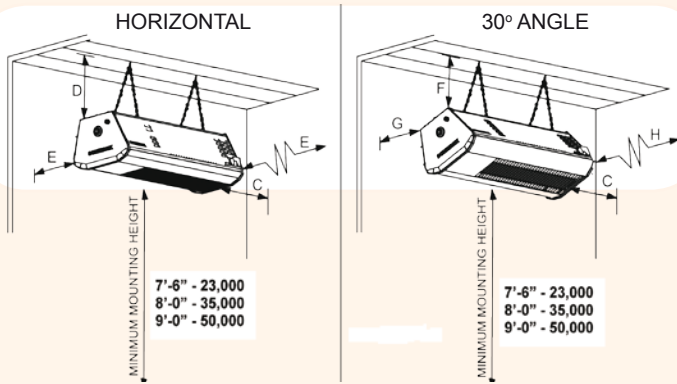
Dimensions & Specifications



MODEL	VOLTAGE VAC	CURRENT AMPS	INPUT BTU/HR	TOTAL WEIGHT [lbs.]	HEATER LENGTH A
2312-N/L	24	40 VA*	23,000	32	30 1/2"
2313-N/L			35,000	44	43 1/2"
2315-N/L			50,000	48	43 1/2"

* For multiple heater installations: 40VA for the first heater and 20VA for each additional heater

Clearances to Combustibles



MODEL		ENDS	HORIZONTAL		ANGLE UP TO 30°		
		C	D	E	F	G	H
2312 N/L	OUTDOOR	3"	5.5"	7.0"	9.5"	1.0"	9.5"
2312 N/L	INDOOR	4"	8.0"	10.0"	12.5"	2.5"	14.0"
2313 N/L	OUTDOOR	5"	7.5"	9.0"	9.5"	1.5"	21.0"
2313 N/L	INDOOR	6"	10.5"	14.5"	14.5"	2.5"	26.0"
2315 N/L	OUTDOOR	16"	8.0"	13.5"	10.0"	2.0"	21.0"
2315 N/L	INDOOR	17"	11.0"	19.0"	16.5"	3.0"	28.5"

Optional Mounting Accessories

Each 2300 series heater is supplied with a hanging bracket for overhead suspension

Wall mounting bracket [30° mounting angle] JP-2300-MB

Wall mounting arm kit [prepped & prewired] JP-2300-MA

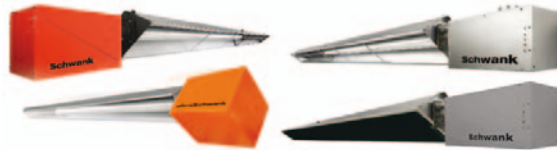
Distributor info:

Suggested Mounting for Comfort**

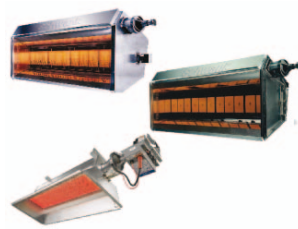
Mounting Parameters	MODEL 2312		MODEL 2313		MODEL 2315	
	HORIZONTAL	30°	HORIZONTAL	30°	HORIZONTAL	30°
Min. mounting height to patio floor	7'6"	7'6"	8'0"	8'0"	9'0"	9'0"
Side distance to patio edge	3'6"	3'6"	4'0"	4'0"	5'0"	5'0"
Side distance between heaters	6'0"	6'0"	8'0"	8'0"	10'0"	10'0"
Distance to wall in front	6'0"	7'0"	7'0"	8'0"	8'0"	9'0"
Distance to heater in front	12'0"	14'0"	14'0"	16'0"	16'0"	18'0"

** Note: These mounting distances are suggested, and are subject to on site conditions. If in doubt, contact your Schwank distributor. These heaters are designed and certified for use outdoors in accordance with current ANSI standards. Schwank warrants that the heaters will operate as designed for wind conditions up to 10 MPH. Please note that adverse wind and weather conditions will reduce the effectiveness of the heaters.

Schwank Tube Heater Series



Schwank Luminous Heater Series



patioSchwank Series



USA: 2 Schwank Way, Waynesboro, GA 30830 | Canada: 5285 Bradco Blvd. Mississauga, ON L4W 2A6
Tel: 1-877-446-3727 | Fax: 1-866-361-0523 | www.schwankgroup.com | csr@schwankgroup.com



M091123 RL:4 RD:Dec-2010